



## DL-S 50-165/T plus-EN54

- 2-way system
- thermal fuse
- magnetic fastening of grille



EN 54-24:2008  
Ref. Nr.: 009-19  
ID-Code: SAA-LS09  
1438-CPR-0431

ic audio GmbH, Boehringerstraße 14a,  
D-68307 Mannheim, Germany

CE-Symbol gemäß Richtlinie 93/68EWG

2-Way ceiling speaker with fire dome for voice alarm applications certified EN 54-24, suitable for voice announcements and background music with excellent sound quality in buildings. The 50W powered speaker is equipped with a 165mm 2-way system featuring a high-quality tweeter and a 100V transformer with 4 power adjustments. Low impedance operation is also possible. The sturdy metal housing in RAL 9016 guarantees long-term durability.

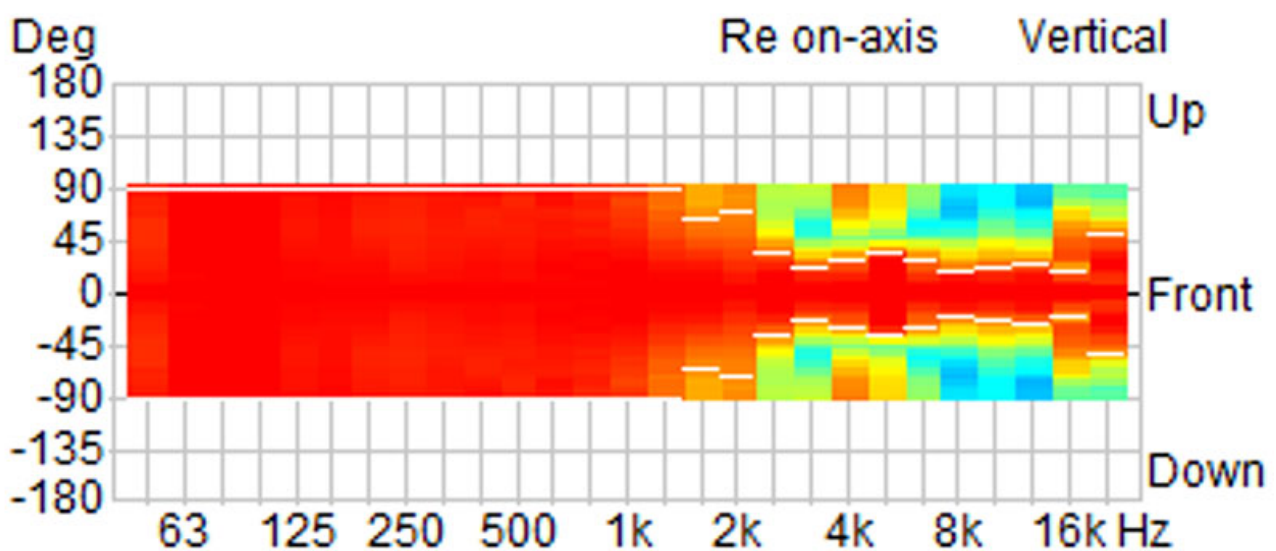
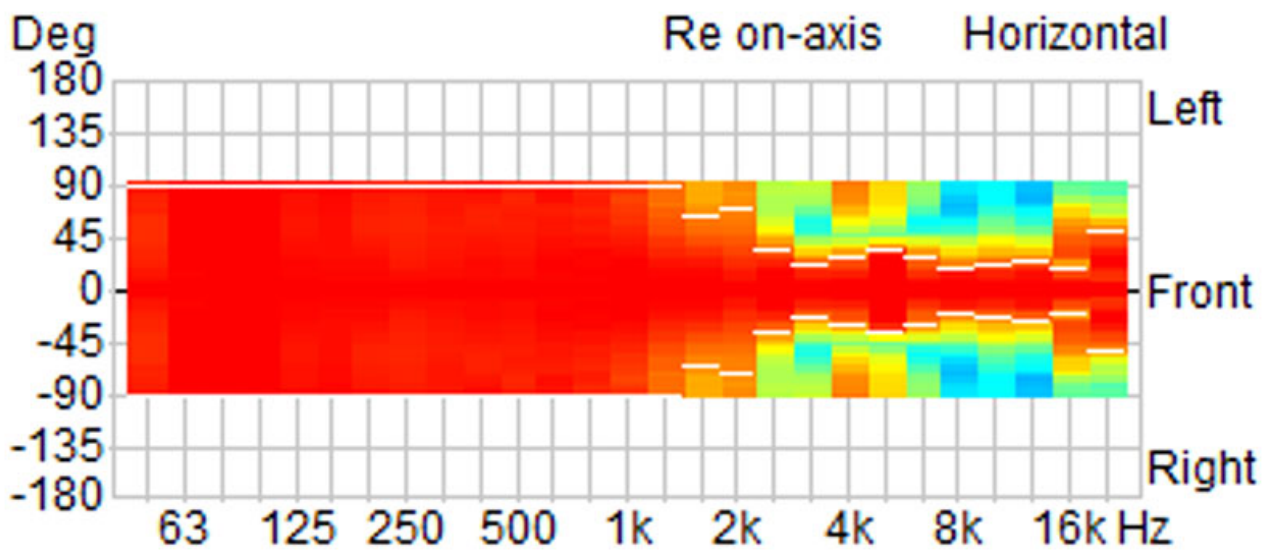
Thanks to an innovative magnetic fastening, the finely perforated speaker grille can quickly be removed or replaced by a grille of a different color, even after the installation.

The speaker is impregnated against dampness.

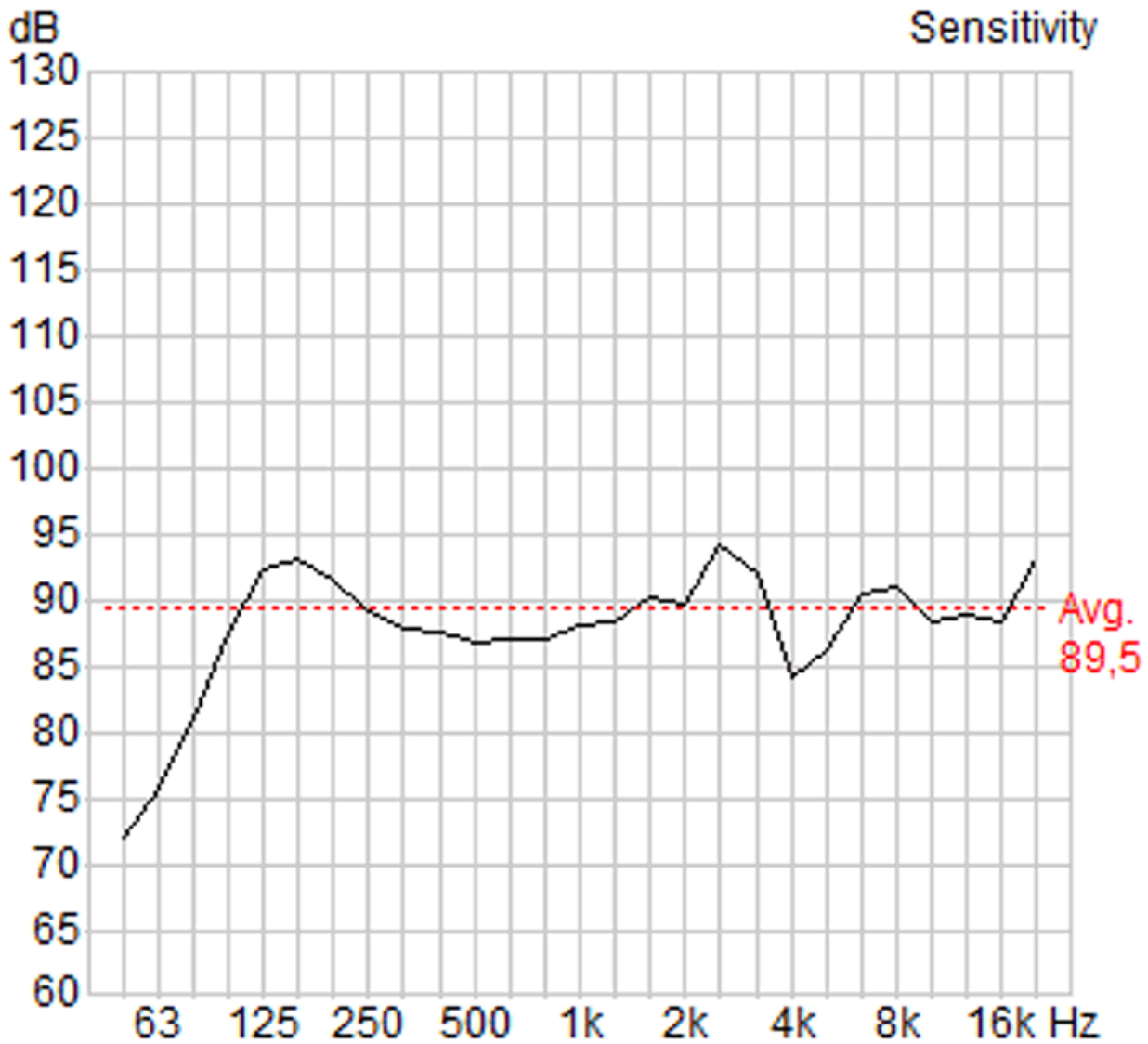
Protection class IP 21C secures the speaker against the risks of environmental influences.

Fast and easy installation via a screw mounting system.

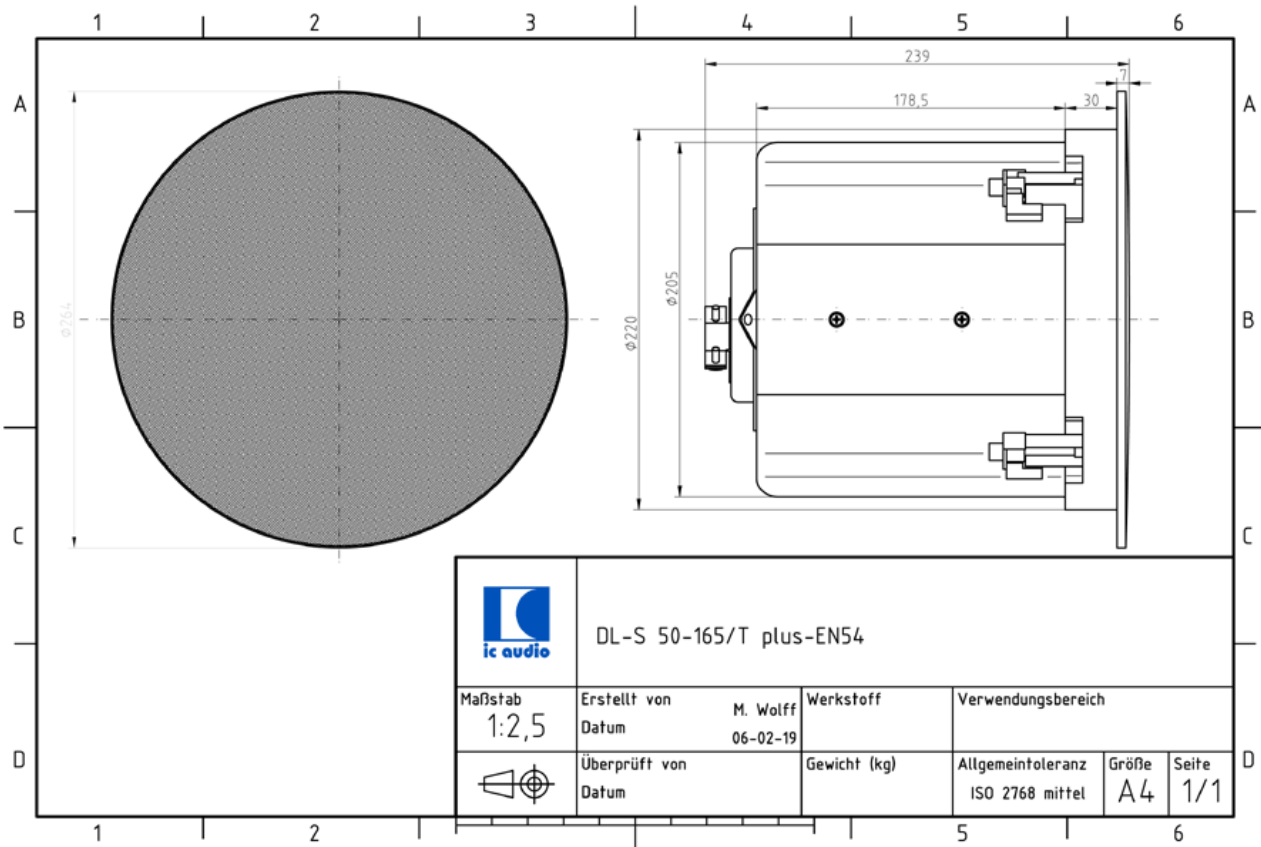
Polar Diagrams



Frequency Response Diagrams



## Technical Diagrams



## Technical Data (Electrical)

Description	DL-S 50-165/T plus-EN54
Power	50/25/12,5/6,25/ (8) W
Impedance (100V)	200/400/800/1600/ ohm
Frequency Range	65 – 24.000 Hz
Frequency Response	80 – 22.200 Hz
SPL 1W/1m, peak	94,1 dB
SPL , 1W/4m, peak	82,1 dB
SPL Pmax/4m, peak	99,0 dB
SPL, rated noise power / 4m	94,3 dB
Sensitivity EN54-24, 1W/4m	77,5 dB
Sensitivity IEC 268-5, 1W/1m	89,5 dB
Dispersion -6dB, 500Hz	180°
Dispersion -6dB, 1KHz	180°
Dispersion -6dB, 2KHz	140°
Dispersion -6dB, 4KHz	56°

## Technical Data (Mechanical)

Dimensions	264 x 240 mm
IP Rating	IP21
Weight (net)	3,75 kg
Ceiling Cut-out	238 mm
Temperature range	-10 / +55 °C
Mounting	Screw system
Connector	5-pin screw terminal
Maximum cable cross section	4,9mm <sup>2</sup>
Max. cable cross section loop	2x4,9mm <sup>2</sup>
Colour	RAL 9016

## Product Attributes



ic audio loudspeakers are tested and classified according to the IEC standard 60529 (degree of protection by enclosure) against the penetration of foreign objects and moisture. The classification is conforming to standards through characterization with a fixed code. This code consists of the letters IP (International Protection) followed by two digits. The first digit indicates the degree of protection against dust and the second digit the degree of protection against water. Please note that the testing of the products has been carried out in laboratory conditions which are not always 100% comparable with the conditions of different installation environments. This protection can be reduced due to normal wear and tear depending on the installation environment.

Measurements according to DIN IEC 268-5 | RoHS compliant (2011/65/EU)

The IP rating specified is based on ic audio test results, not on CNBOP-PIB test results. Certification only verifies the minimum requirements for EN54-24 compliance.



**Article Nr.:** 20194132

**Packing Unit:** 8

